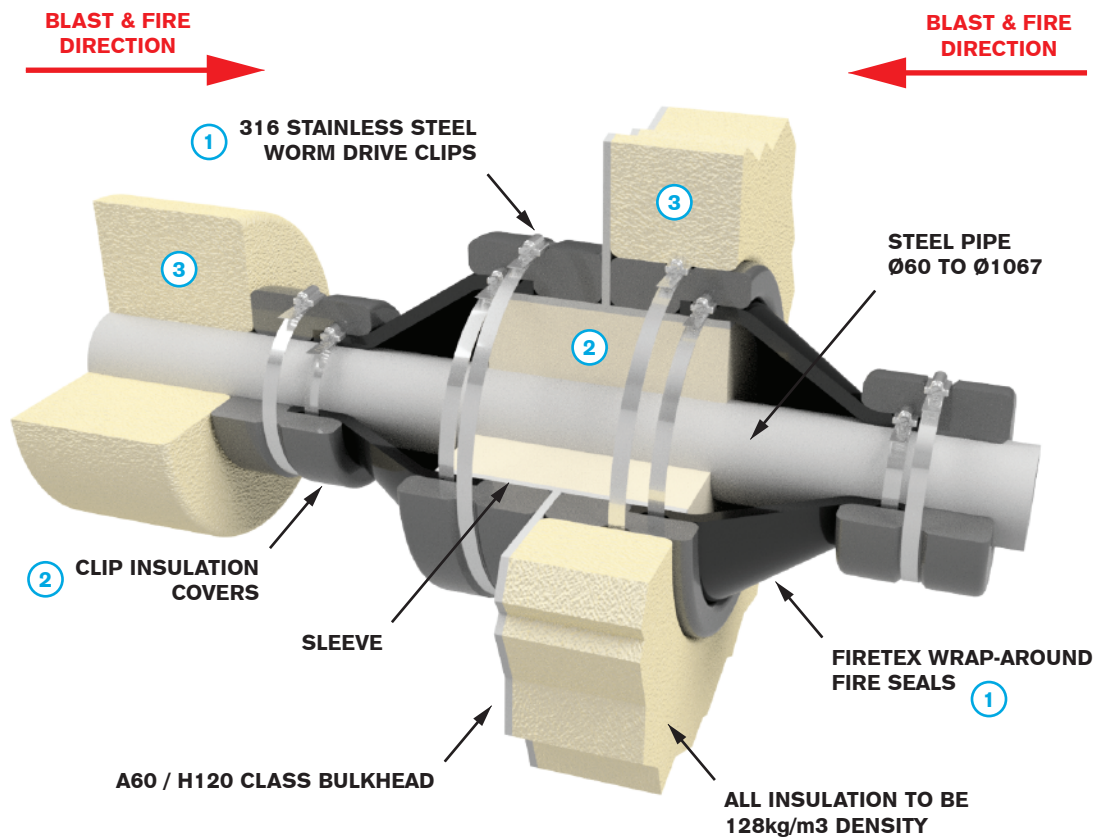


## Insulation Requirements for Firetex Double Sided Wrap Around A60 / H120 Rated Pipe Penetration Seals



- ① PROVIDED BY MCL UNITEX LTD.
- ② CAN BE PROVIDED ON SPECIAL REQUEST.
- ③ PROVIDED BY OTHERS.

[www.mclunitex.com](http://www.mclunitex.com)

### Specification

<b>Certification:</b>	A60 and H120 Lloyds Register of Shipping, Certificate No. SAS F150136. Blast over-pressure to 1.35 bar g, Lloyds Register of Shipping Certificate No. LWT 401087/1 (Approvals are also held through other Certifying Authorities, details of which are available upon request).
<b>Insulation:</b>	Insulation in accordance with Lloyds Register of Shipping, Certificate No. SAS F150136.
<b>Movement:</b>	Standard seal construction will accommodate +/- 25mm in any plane.
<b>Installation:</b>	Each seal is supplied with installation instructions, sealant and stainless steel worm drive clips.